

 marquis
COLLECTION | by Kingsman



S K Y L I N E

ZERO CLEARANCE DIRECT VENT GAS FIREPLACE

Unit Illustrated is a MQRB3328N Zero Clearance Direct Vent Natural Gas Fireplace, Z33CVCK Designer Clean View Circulating Kit, MQ33SWFBL Wall Surround Flatt – Black, MQRB33PL Porcelain Reflective Panels, and MQRBD1 Contemporary Rock and Driftwood Set.

WALL SURROUND

CONCAVE, CONVEX & FLATT

BLACK

PEWTER

STYLING



ROCK COLLECTION



DRIFT WOOD



DECORATIVE STONE



DECORATIVE EMBER GLASS



Enjoy the **VIEW**

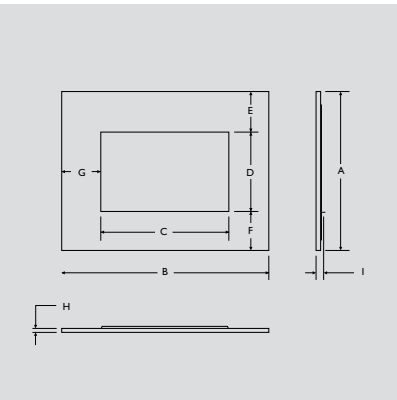
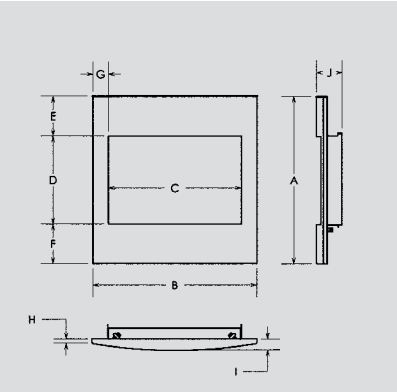
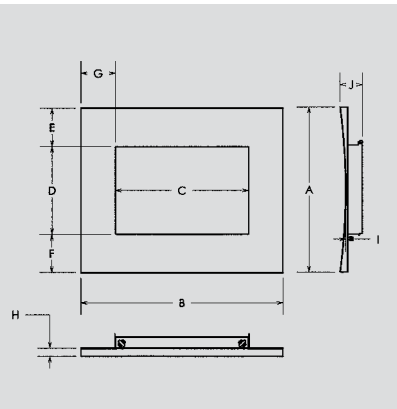
There is nothing subtle about this Skyline. It's pure sophistication that makes a statement with wide-view appeal and flexibility. Choose from the rocks and driftwood, decorative stones, or ember glass in a choice of colors for a sleek contemporary look.

CONCAVE

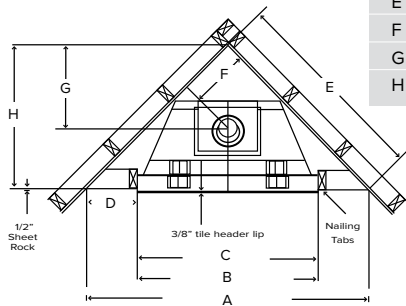
CONVEX

FLATT

Model	MQRB3328N	MQRB3328LP	ZDVRB3622N ZDVRB3622NE	ZDVRB3622LP ZDVRB3622LPE	MQRB4236N	MQRB4236LPT	MQRB4236NT
Fuel	Natural	Propane	Natural	Propane	Natural	Propane	Natural
Input Max.	25,000 BTU	25,000 BTU	17,500	17,500	30,500 BTU	24,000	24,000
Input Min.	17,000 BTU	20,000 BTU	12,000	14,000	20,500 BTU	19,000	18,000
FE (P.4.1-02)	56%	56%	63.8%/68.3%	63.8%/68.3%	56.8%	46%	44.7%



**DESIGNER CLEAN VIEW
CIRCULATING KIT (CVCK)**
Corner Framing Dimensions (inches)



MQRB3328 ZDVRB3622 MQRB4236

A	63 ¹ / ₈ "	56"	63 ¹³ / ₁₆ "
B	33 ⁷ / ₈ "	38 ⁷ / ₁₆ "	42 ⁷ / ₁₆ "
C	33 ⁹ / ₁₆ "	38 ⁷ / ₁₆ "	42 ¹ / ₁₆ "
D	14 ⁵ / ₈ "	8 ³ / ₄ "	10 ¹¹ / ₁₆ "
E	44 ⁵ / ₈ "	39 ⁵ / ₈ "	45 ¹ / ₈ "
F	13 ⁷ / ₈ "	11"	13 ³ / ₄ "
G	19 ⁵ / ₈ "	15 ⁵ / ₈ "	19 ¹ / ₂ "
H	31 ⁹ / ₁₆ "	31 ⁷ / ₈ "	31 ⁷ / ₈ "

Top Flue Model	Width	Height
MQRB3328	25 ¹ / ₂ "	14 ³ / ₁₆ "
ZDVRB3622	29 ³ / ₄ "	16 ¹ / ₈ "
MQRB4236	33 ³ / ₈ "	20 ³ / ₈ "

VIEWING AREA

MQRB3328	25 ¹ / ₂ "	14 ³ / ₁₆ "
ZDVRB3622	29 ³ / ₄ "	16 ¹ / ₈ "
MQRB4236	33 ³ / ₈ "	20 ³ / ₈ "

Top Flue Model	Height		Front Width		Depth	
	Actual	Framing	Actual	Framing	Actual	Framing
MQRB3328	33 ³ / ₈ "	38 ³ / ₈ "	33 ⁵ / ₁₆ "	33 ⁷ / ₈ "	16 ⁷ / ₁₆ "	16 ⁹ / ₁₆ "
ZDVRB3622	33 ³ / ₄ "	36 ³ / ₄ "	38 ¹ / ₁₆ "	38 ⁷ / ₁₆ "	18 ¹¹ / ₁₆ "	17 ³ / ₄ "
MQRB4236	36 ¹³ / ₁₆ "	43"	42 ¹ / ₁₆ "	42 ⁷ / ₁₆ "	18 ¹⁵ / ₁₆ "	19 ¹ / ₂ "

CLEAN VIEW CIRCULATING KIT (CVCK)

Concave	A	B	C	D	E	F	G	H	I	J	L
MQRB42	42 ¹ / ₁₆ "	55 ³ / ₈ "	36 ³ / ₈ "	23 ⁸ / ₁₆ "	9 ¹ / ₂ "	9 ¹ / ₂ "	9 ¹ / ₂ "	2"	1 ¹ / ₂ "	5 ¹ / ₂ "	36 ³ / ₈ "
Convex	A	B	C	D	E	F	G	H	I	J	L
MQRB42	42 ⁷ / ₈ "	44 ¹ / ₃ "	36 ³ / ₈ "	23 ³ / ₄ "	9 ¹ / ₂ "	9 ¹ / ₂ "	4"	13 ¹¹ / ₁₆ "	3 ¹ / ₈ "	6 ³ / ₈ "	36 ³ / ₈ "
Flatt	A	B	C	D	E	F	G	H	I		
MQRB33	35 ⁵ / ₁₆ "	45 ¹³ / ₁₆ "	28 ³ / ₈ "	17 ¹³ / ₁₆ "	8 ³ / ₄ "	8 ³ / ₄ "	8 ³ / ₄ "	1"	1 ³ / ₁₆ "		
ZDVRB3622	37 ⁵ / ₃₂ "	50 ⁵ / ₁₆ "	32 ¹⁵ / ₁₆ "	19 ⁵ / ₈ "	8 ³ / ₄ "	8 ³ / ₄ "	8 ³ / ₄ "	1"	1 ³ / ₁₆ "		

STANDARD FEATURES

- > Millivolt or IPI valve system allows operation during a power failure with Hi/low heat and flame adjustment

OPTIONAL FEATURES

- Designer Clean View Circulating Kit – No Louvers Required
- Surround Trim Kit – Black and Stainless Steel (36"W x 22 1/2"H)
- Wall Surrounds – Convex, Concave and Flatt with Black or Pewter finishes
- Wall Surrounds Accents – Flatt
 - > Keystone – Brushed Chrome or Black
 - > Designer Band Accents – 4 x Black (sml), 2 x Chrome (lrg)
 - > Designer Corner Accents – 4 x Black

Thermostat – Wall Mount Millivolt Thermostat or Programmable Thermostat

Remote Controls – On/Off, Thermostat, Thermostat Modulating and or Fan Control

Contemporary Rock and or Driftwood Set, Decorative Stones or Decorative Ember Glass

Porcelain Reflective Liners

Universal Light Kit – Two Lamps (Series II models only)

Fan Kit – Heat activated with variable speed control

Child Safety Screen



 **marquis**
COLLECTION | by Kingsman



Kingsman Fireplaces maintains a program of continuous testing, refinement and improvements of all its products. Some aspect of units shown here may be changed at any time without notice or obligation.

Certification: Models MQRB3328, MQRB4236N ZDVRB3622NE, and ZDVRB3622LPE are certified to ANSI Z21.88-2009, CSA 2.33-2009, CGA 2.17-M91 VENTED GAS FIREPLACE HEATER. Models MQRB4236NT, MQRB4236NITE, MQRB4236LPT, MQRB4236LPTE, ZDVRB3622N, and ZDVRB3622LP are certified to ANSI Z21.50b-2009/CSA 2.22b-2009, CGA 2.17-M91 VENTED GAS FIREPLACE.

*Components may have to be ordered separately to create a complete unit. Discuss with your local Marquis Dealer for clarification.

