

marquis  
COLLECTION | by Kingsman



C O V E

ZERO CLEARANCE DIRECT VENT GAS FIREPLACE

Unit Illustrated is a MQZDV4634N Zero Clearance Direct Vent Gas Fireplace - Natural Gas, MQRSP39BL Glass and Rock Tray Support Platform, MQG5A Decorative Ember Glass - Azuria, MQ46PL Porcelain Reflective Liner and Decorated with MQG10B Black Glass on the bottom of the fireplace.

STYLING



ROCK COLLECTION



SPLIT OAK LOG SET



WHITE



BLACK



COBALT



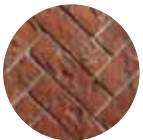
BRONZE

DECORATIVE EMBER GLASS

BRICK LINERS



HERRINGBONE



HERRINGBONE RED



TRADITIONAL



Give a **WARM**  
Welcome

Grand in style and stature,  
the new Cove makes a  
contemporary statement  
in any home.

Unit Illustrated is a MQZDV3927N Zero Clearance Direct Vent Gas Fireplace - Natural Gas, MQLOGF39 Fiber Split Oak Log Set, and MQ39RLT Traditional Brick Liner.

Model	MQZDV3927N	MQZDV3927LP	MQZDV4634N	MQZDV4634LP
Fuel	Natural Gas	Propane	Natural Gas	Propane
Input High	42,500 BTU	40,500 BTU	59,000 BTU	55,500 BTU
Input Low	29,000 BTU	32,000 BTU	40,500 BTU	44,000 BTU
FE (P.4.1-02)	66.9% / 68.9%	66.9% / 68.9%	50.8% / 52.1%	50.8% / 52.1%
Viewing Area	26 3/4" W x 34 1/4" H		33 7/8" W x 44" H	
Venting	5/7" Kingsman Flex or 5/8" with Adapter		7/10" Kingsman Flex Vent	

### STANDARD FEATURES

- > SIT Valve with Hi/Lo Flame and BTU Adjustment
- > Accent Lighting

### OPTIONAL FEATURES

Choice of Millivolt or IPI electronic ignition system with battery backup, and cold climate switch

Log Set – Fiber Split Oak

Glass or Rock Tray Support Platform

Rock Sets – Contemporary Collection in Natural, or Multi-Colored

Decorative Glass – White, Blue, or Bronze

Porcelain Panels or choice of Brick Liners – Traditional, and Herringbone

Remote Controls – On/Off, Thermostat, Modulating and Fan/Light Control Module

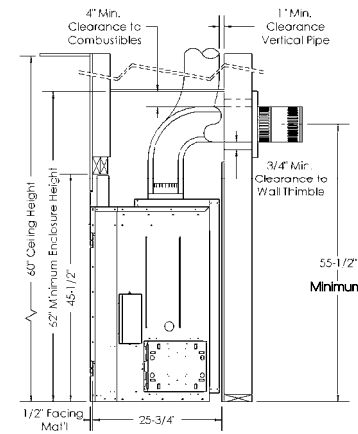
Fan Kit - Heat activated with variable speed control.

Thermostat - Wall mount or Programmable.

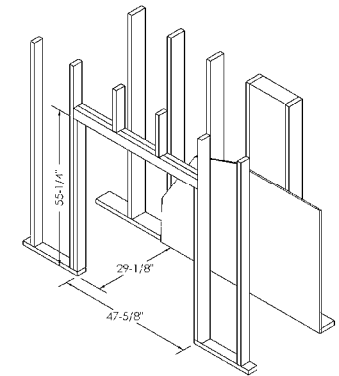
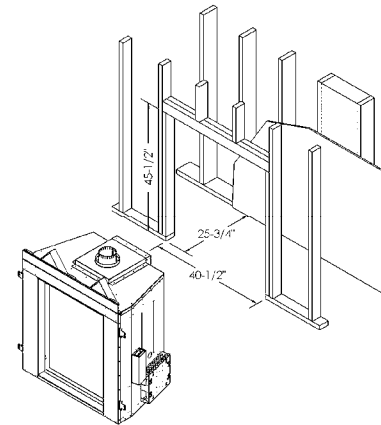
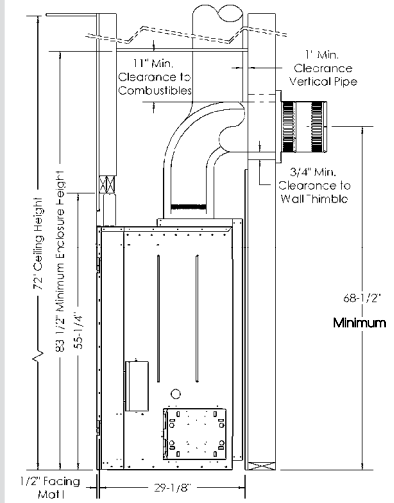


### FRAMING YOUR GAS FIREPLACE

#### MQZDV3927

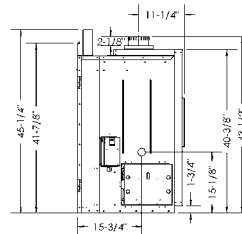
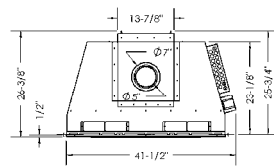
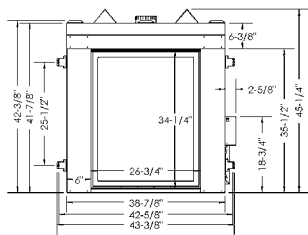


#### MQZDV4634

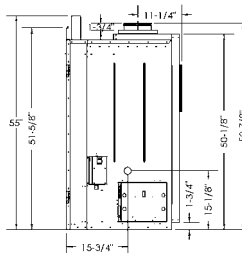
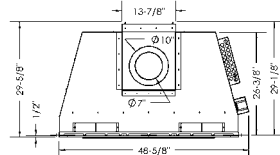
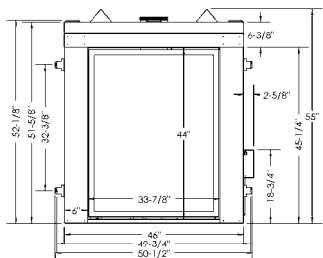


### FIREPLACE GENERAL DIMENSIONS

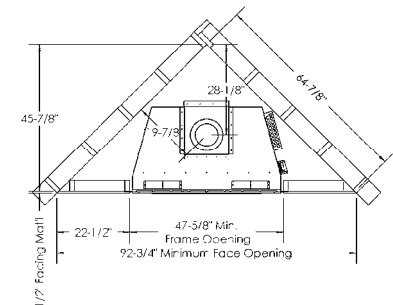
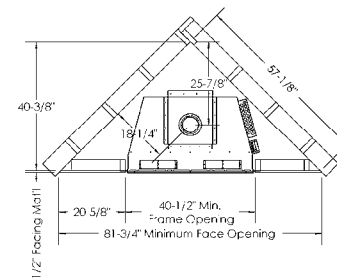
MQZDV3927



MQZDV4634



### CORNER FRAME DIMENSIONS





Kingsman Fireplaces maintains a program of continuous testing refinement and improvements of all its products. Some aspect of units shown here may be changed at any time without notice or obligation.

Certification: The models MQZDV3927N, MQZDV3927LP, MQZDV3927NE, MQZDV3927LPE are certified as a Vented Gas Fireplace Heater ANSI Z21.88-2009, CSA 2.33-2009, CGA 2.17-M91. The models MQZDV4634N, MQZDV4634LP, MQZDV4634NE, MQZDV4634LPE are certified as a Vented Gas Fireplace ANSI Z21.50b-2009, CSA 2.22b-2009, CGA 2.17-M91

