



S30 Freestanding Gas Stove
Powder Coated Grey Side Panels

S30

FREESTANDING GAS STOVE





S30

FREESTANDING GAS STOVE

S30 Freestanding Gas Stove, Painted Black Side Panels

Gas Stove Details

| | |
|---------------------|-----------------------|
| BTU Input | 20,000 BTU's |
| Area Heated** | 1,100 ft ² |
| Turn Down | 50% |
| EnerGuide FE Rating | 79% |
| Venting | Top / Rear |
| Glass Size | w17½" x h19¾" |
| Fuel Compatibility | NG & LP |

** Efficiency and area heated will vary according to gas type and venting. Approved for sale in Canada and the United States.

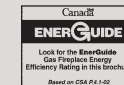
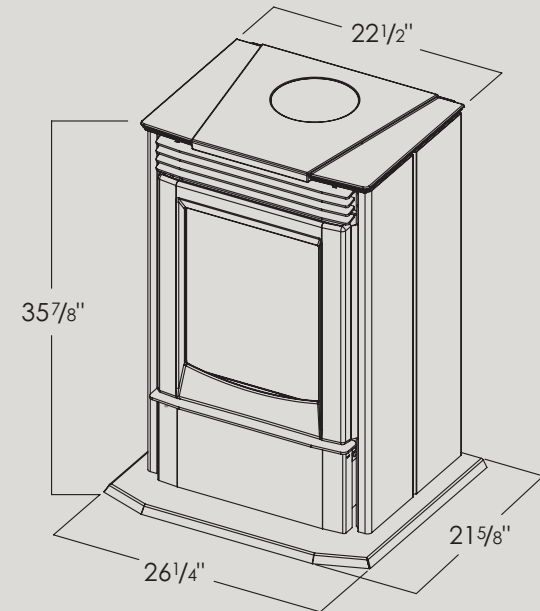
Clearance to Combustibles

| | |
|--|------|
| Min. distance to the sides of the unit | 10¾" |
| Min. distance to non-combustible surface behind the unit | 4" |
| Min. distance to non-combustible surface from above the unit | 12" |

Please see owner's manual for more information

S30 Features

- European made cast iron accents
- Choice of side panels & ash lip
 - Painted black
 - Powder coated grey
- Nova and IPI editions
- Field conversion kit NG to LP
- Thermostat or remote compatible
- Ceramic logset
- Removable hearth pad
- Top vent / rear vent convertible
- Heavy duty heat exchanger
- Easy access controls
- 150 CFM variable speed fan
- Safety Screen



Please share and recycle this brochure

Manufactured by Sherwood Industries Ltd ▪ Victoria, BC, Canada
 enviro.com ▪ info@enviro.com ▪ Printed in Canada, May 2015